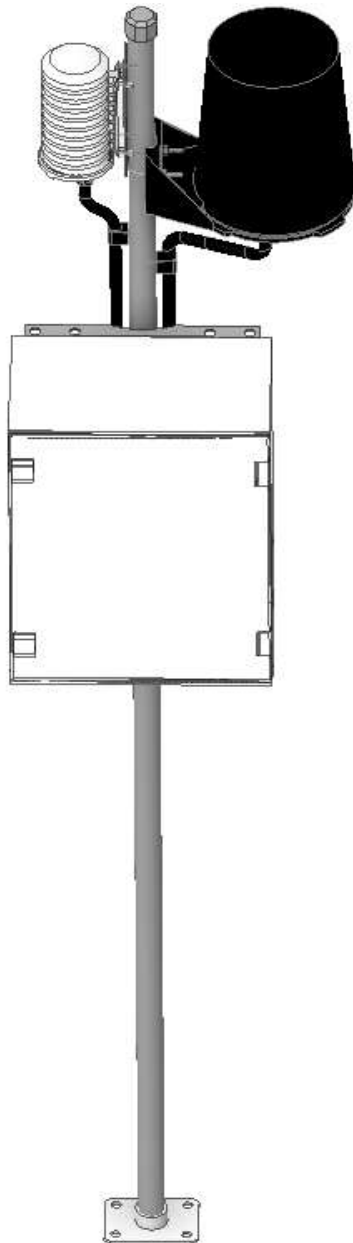


# Weather Station

## **Quick Start**





## Table of contents

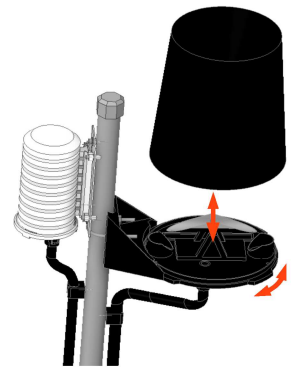
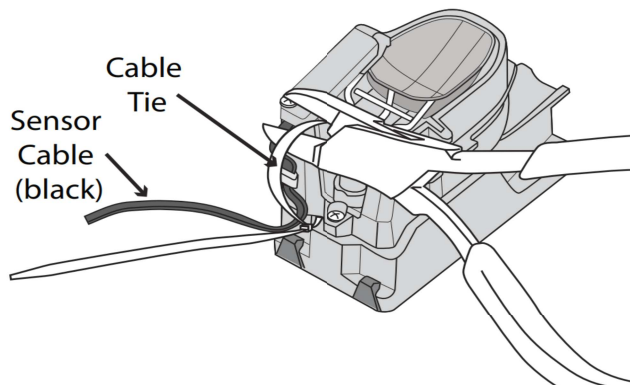
<b>1. ASSEMBLING OF THE RAIN COLLECTOR.....</b>	<b>3</b>
<b>2. ASSEMBLING OF THE TEMPERATURE SENSOR.....</b>	<b>5</b>
<b>3. CONNECT THE CABLE OF THE RAIN COLLECTOR.....</b>	<b>7</b>
<b>4. FIX THE TUBES TO THE MAST.....</b>	<b>8</b>
<b>5. MAST ASSEMBLY.....</b>	<b>9</b>
<b>6. FIX THE STATION TO THE GROUND.....</b>	<b>10</b>
<b>7. OPTIONAL EXTERNAL POWER SUPPLY.....</b>	<b>11</b>
<b>8. START THE WEATHER STATION.....</b>	<b>12</b>



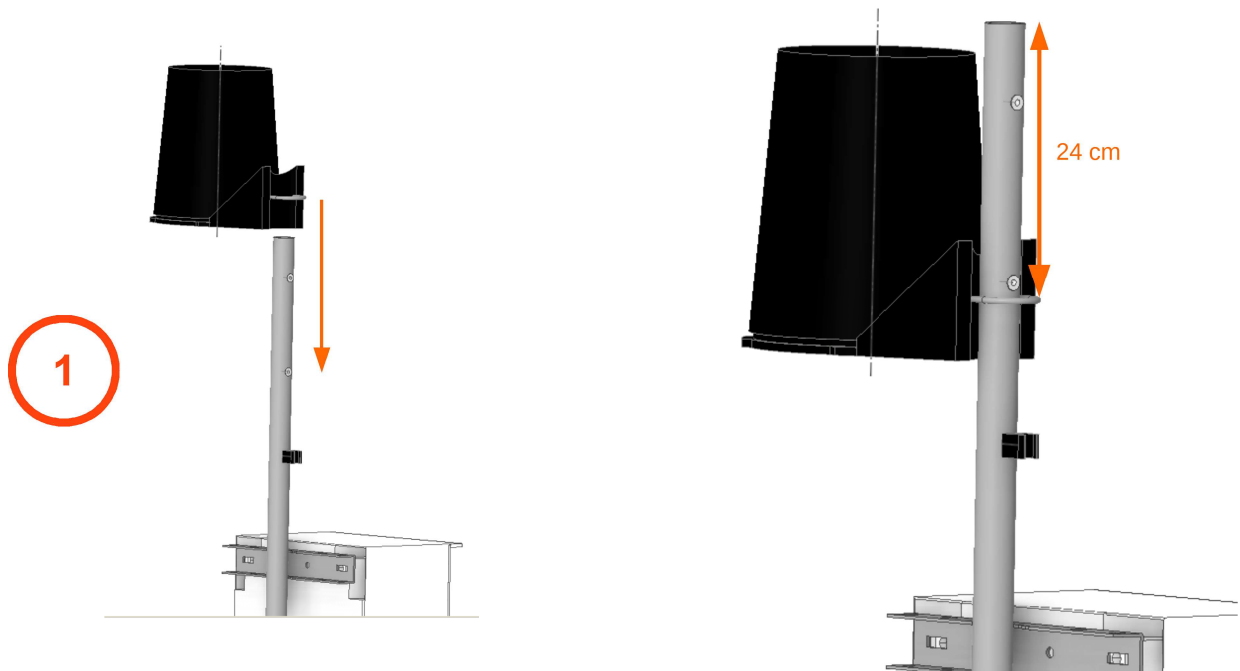
## *Assembling of the weather station*

### **1. Assembling of the rain collector**

- Open the rain meter and cut the white transport protection rope:



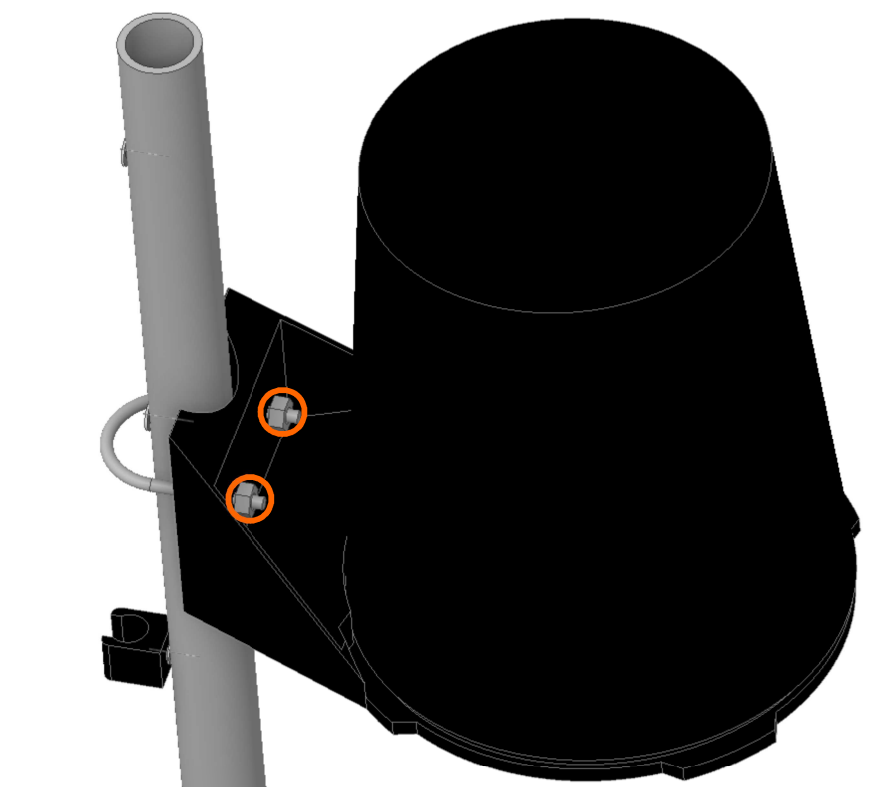
The tipping bucket on the base has been secured to avoid possible damage to the assembly. Carefully cut and remove the cable tie to release the bucket assembly. Be careful to not cut the sensor cable.





Fix the rain meter at the right distance by using the two nuts.

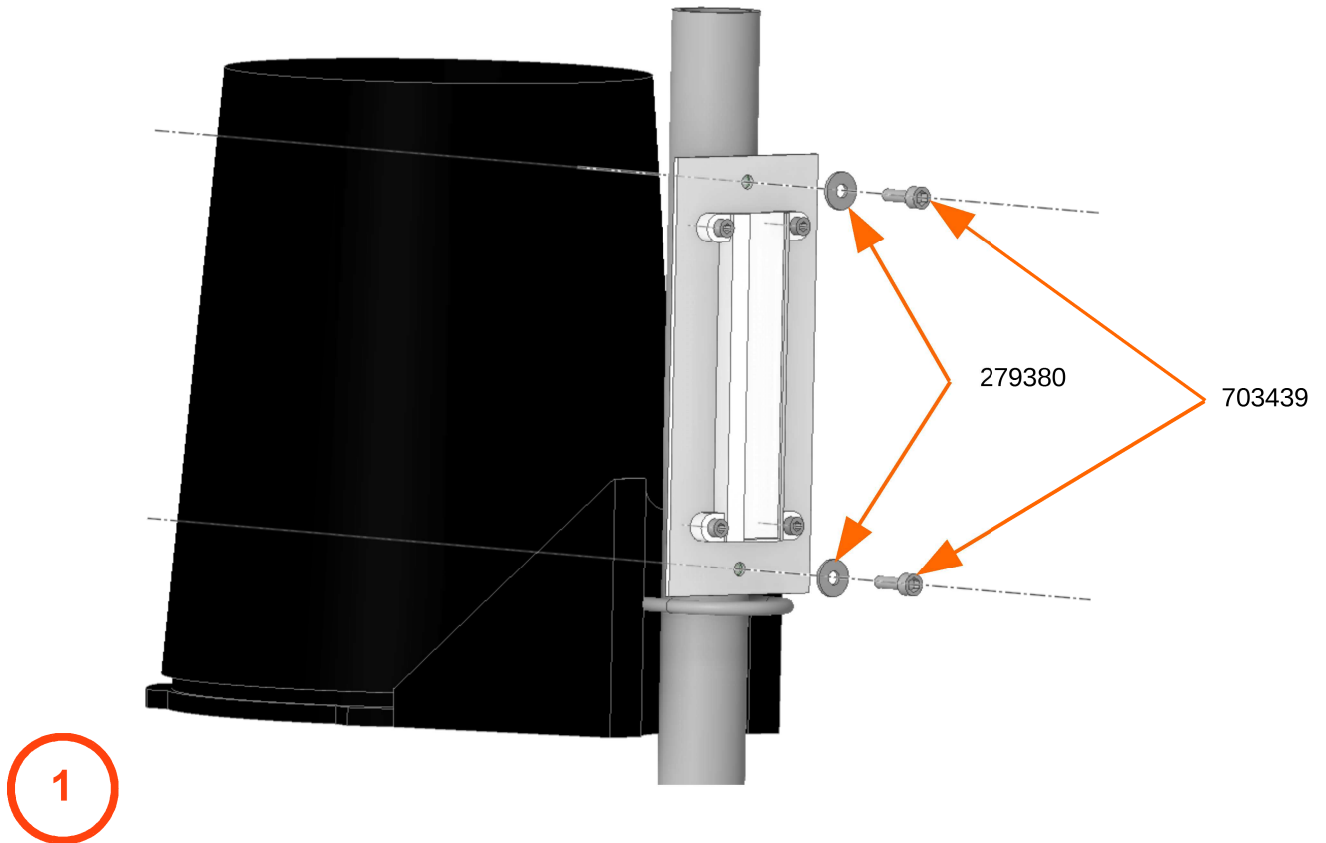
2

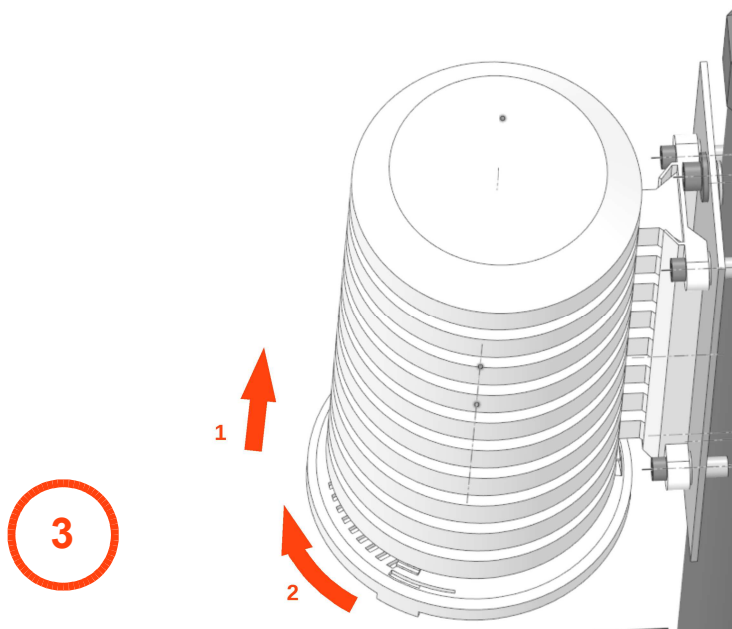
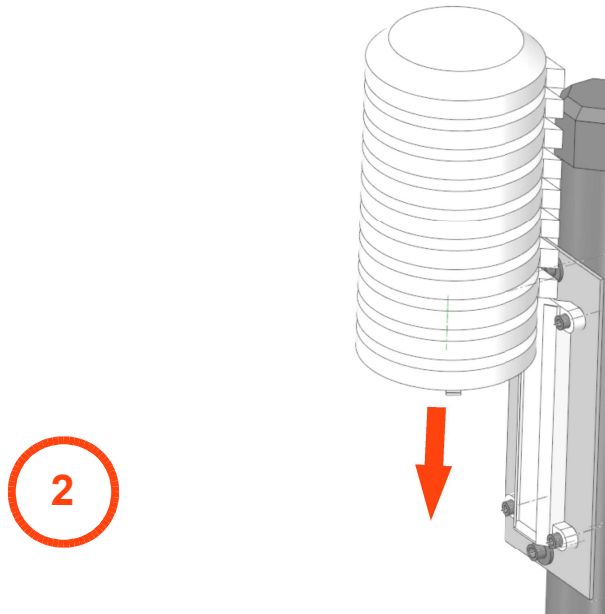




## 2. Assembling of the temperature sensor

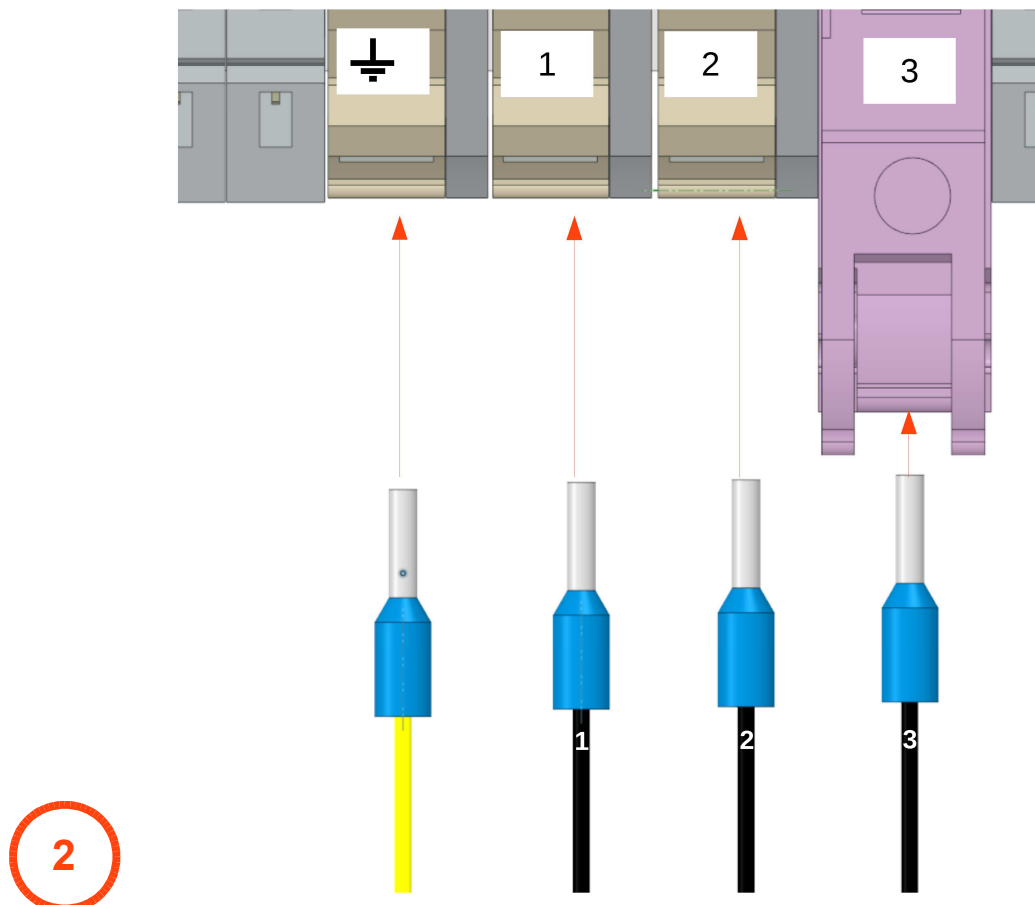
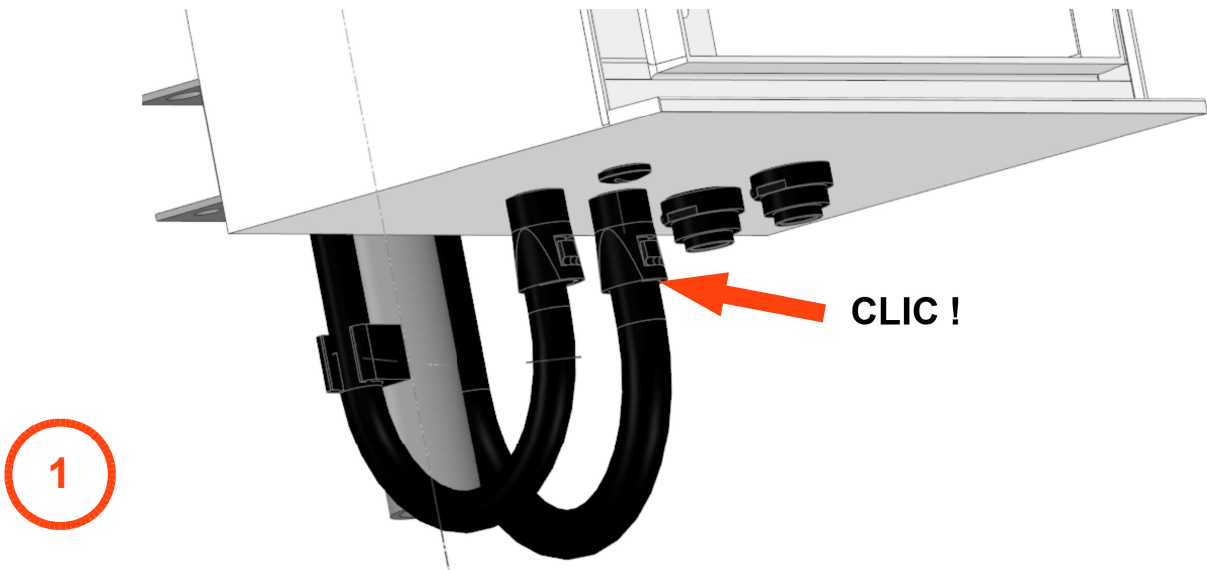
-Use 2x washer (279380) and 2x screw (703439) to fix the temperature sensor holder to the mast





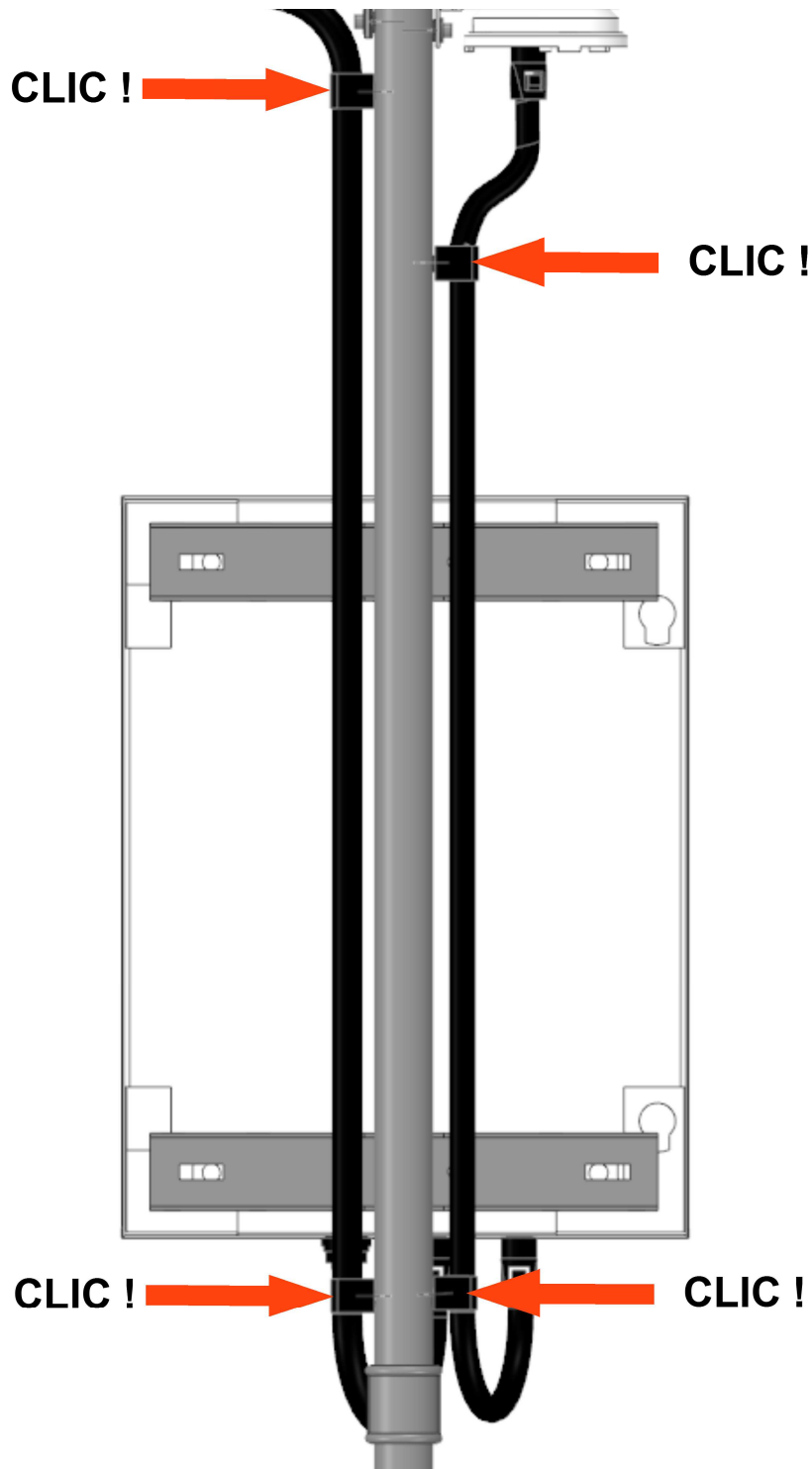


### 3. Connect the cable of the rain collector





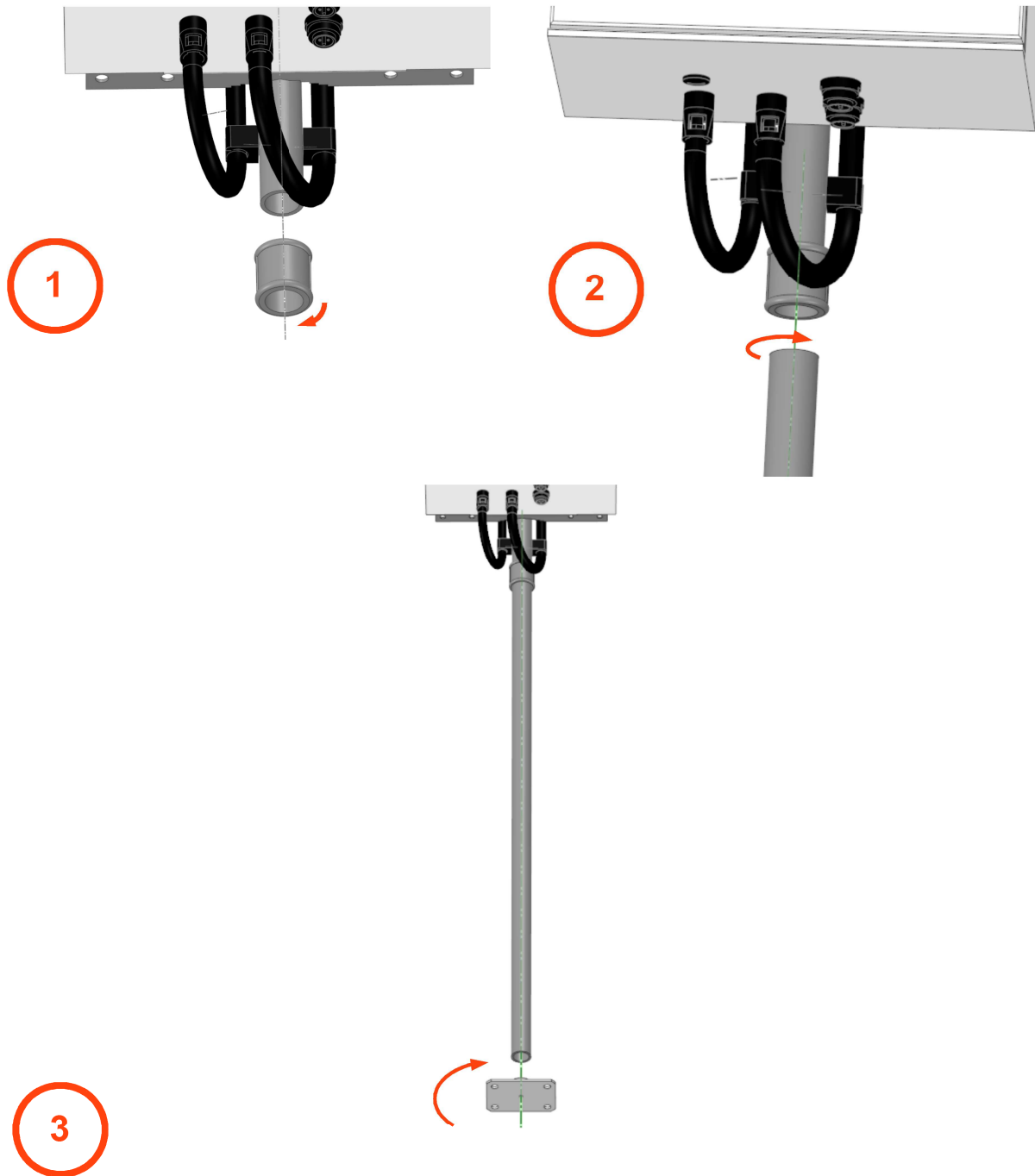
#### 4. Fix the tubes to the mast







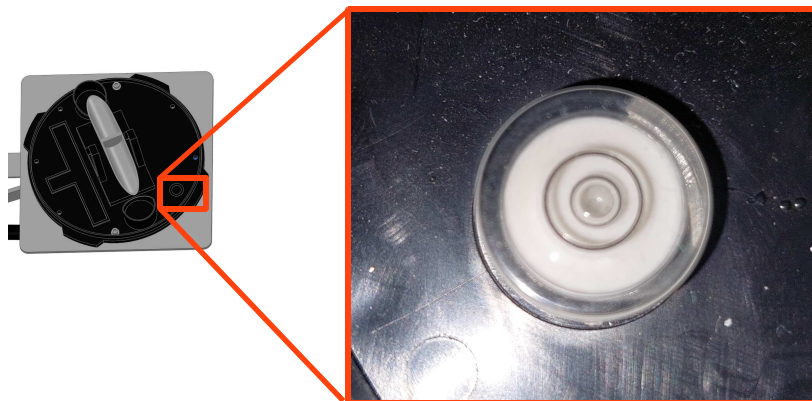
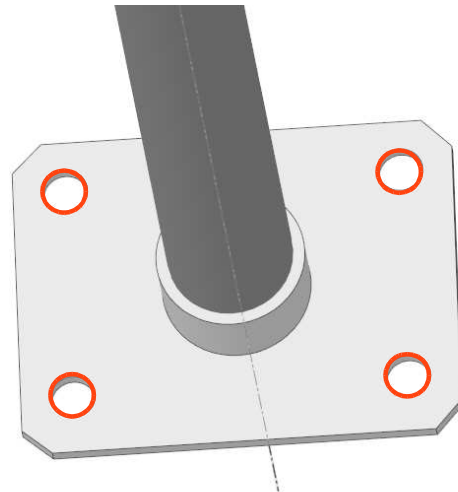
## 5. Mast assembly





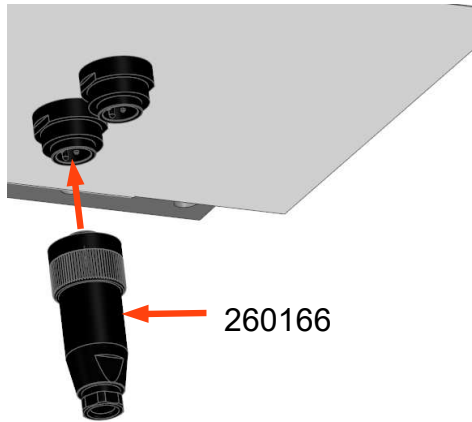
## 6. Fix the station to the ground

Fix the station to the ground using this 4 holes. Make sure that the mast is perfectly vertical otherwise the rain collector will not count well the rain mm. You can check it by looking at the bubble in the rain collector.





## 7. Optional external power supply



PIN	Signal
1	0VDC
Earth	+24VDC

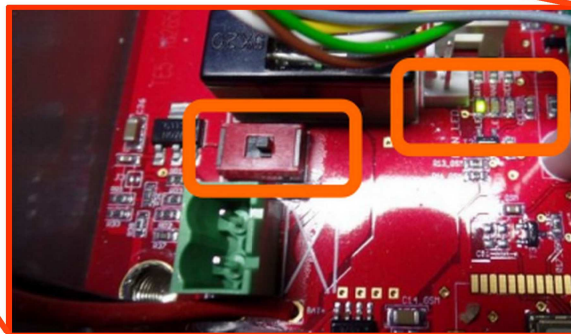
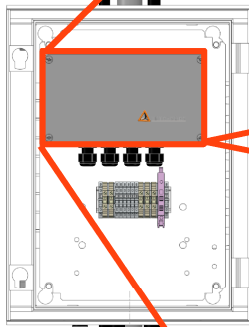


## 8. Start the weather station

Connect the provided battery on the white connector:



1



2

- Slide to the right the small black and red microswitch and watch the LEDS as they should turn ON during one second then turn OFF, this indicates that the device has boot properly:

- After one minute, the device will automatically perform a connection to the server. You can contact Tetraedre through [sales@tetraedre.com](mailto:sales@tetraedre.com) so we can check that everything is running properly and configure the various export when needed.

- In order to provide you remote support, please install on a laptop the software Axiome Basic and Kmeet and connect the provided USB cable to the laptop so it will automatically install the drivers from the Microsoft Update tool.

Links:

[https://www.tetraedre.com/public\\_download/axiome/axiome\\_basic.exe](https://www.tetraedre.com/public_download/axiome/axiome_basic.exe)

<https://www.infomaniak.com/en/apps/download-kmeet>



---

## CONTACT

---

Adresse	Tetraedre sàrl Rue des Epancheurs 34b 2012 Auvernier
Téléphone	+41 32 730 61 51
Mobile	+41 76 570 71 75
Email	<a href="mailto:sales@tetraedre.com">sales@tetraedre.com</a>
Web	<a href="http://www.tetraedre.com">www.tetraedre.com</a>